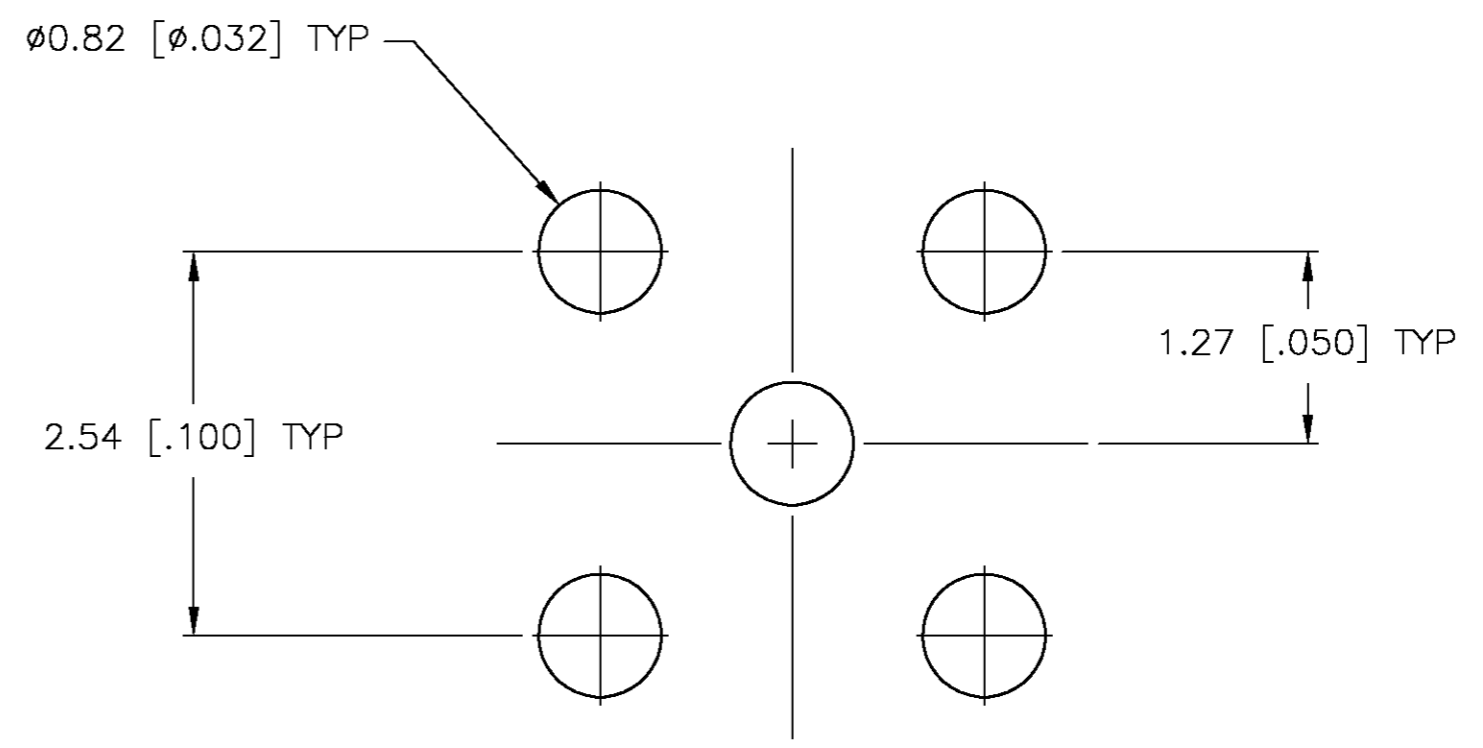
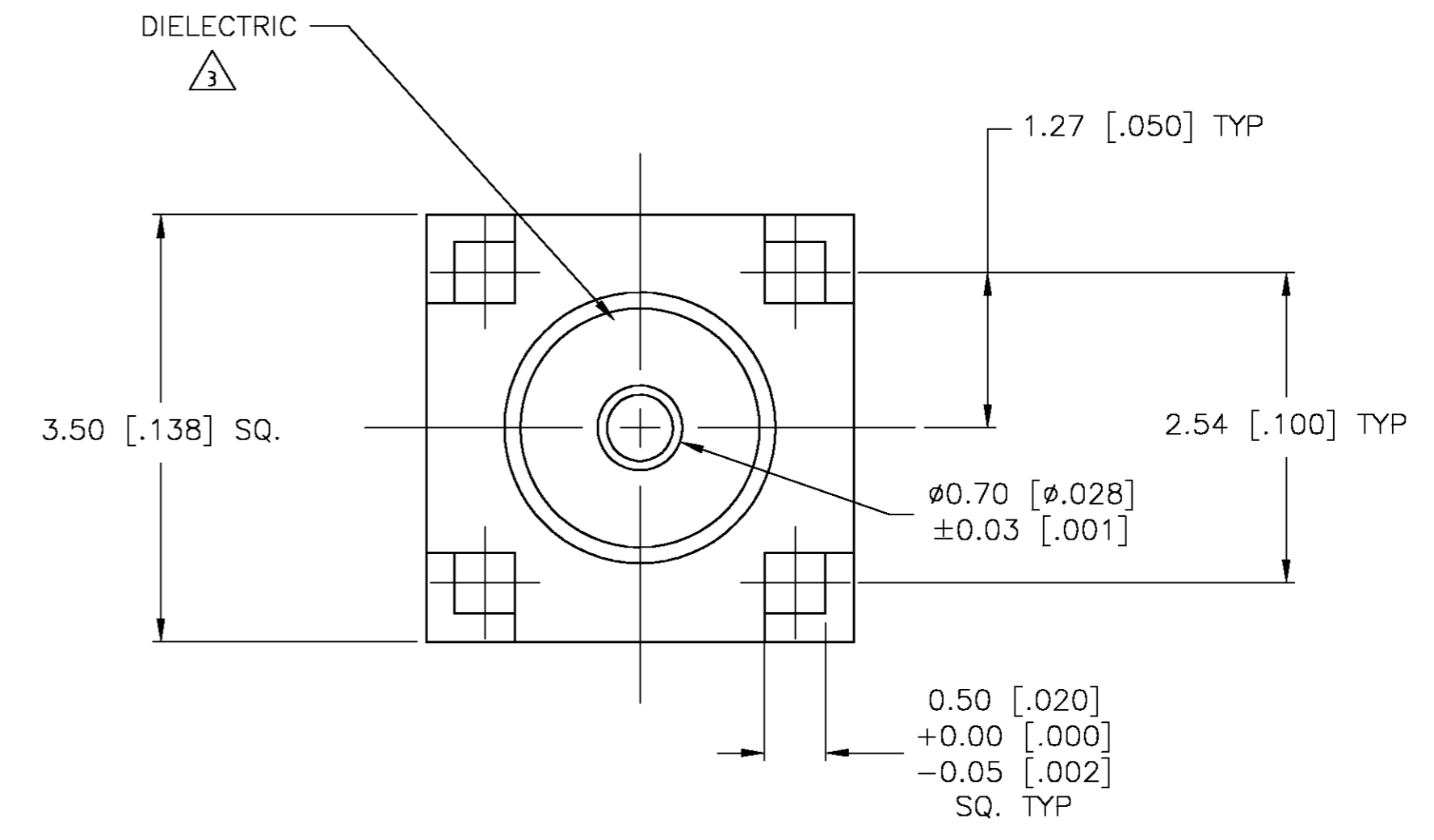
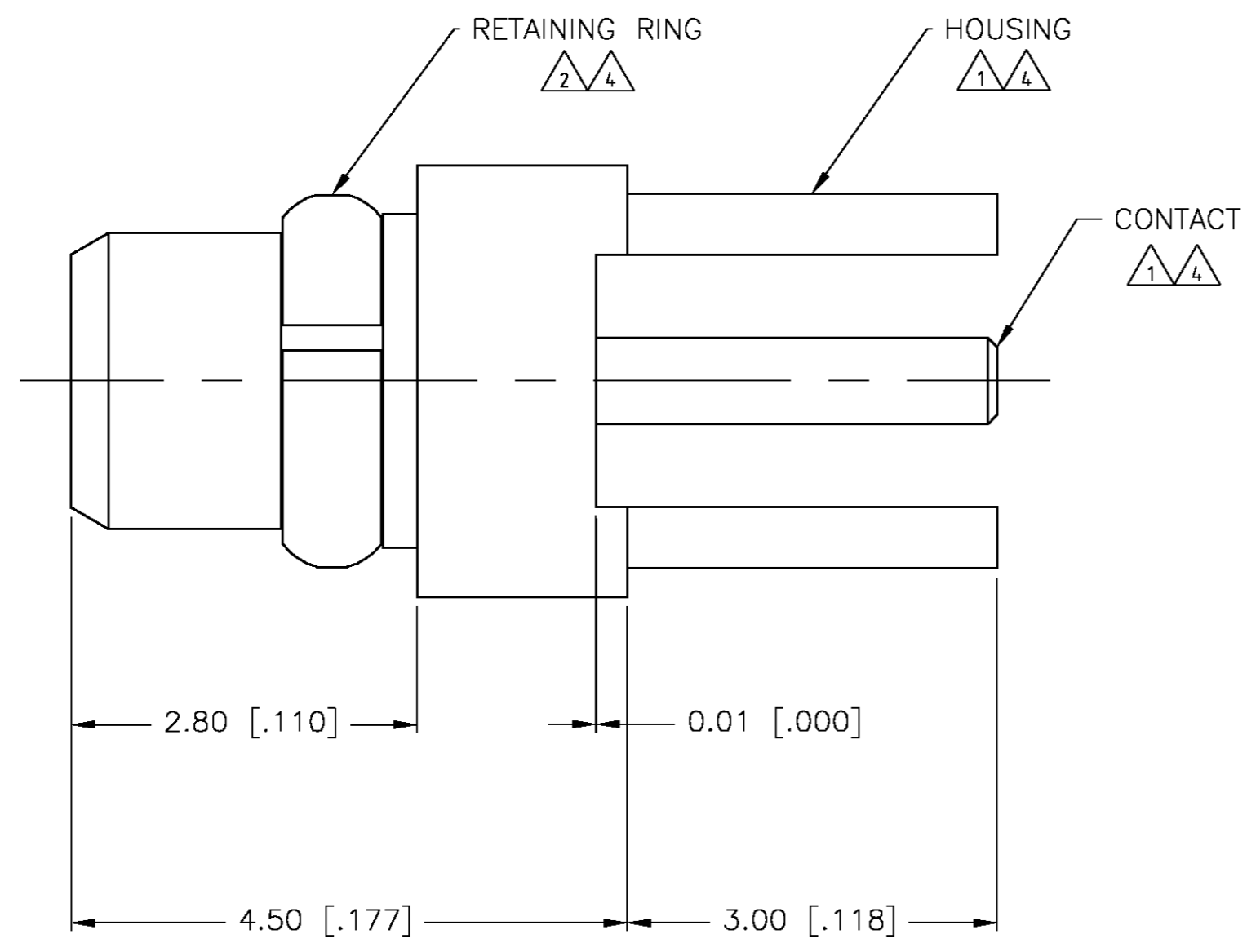


THIS DRAWING IS UNPUBLISHED. RELEASED FOR PUBLICATION  
 © COPYRIGHT BY TYCO ELECTRONICS CORPORATION. ALL RIGHTS RESERVED.

Loc		DIST		REVISIONS			
P	LTR	DESCRIPTION	DATE	DWN	APVD		
AJ	-	B	REV PER 0514-0199-04	30APR04	KW	KW	



RECOMMENDED PCB LAYOUT  
 TOLERANCE ±0.08 [.003]

- △1 BRASS PER ASTM-B-16
- △2 BERYLLIUM COPPER PER ASTM-B-196
- △3 PTFE PER ASTM-D-1710
- △4 GOLD PLATE PER ASTM-B488
- 5. PRODUCT HAS NOT COMPLETED QUALIFICATION TESTING.

1408496-1  
 PART NUMBER

THIS DRAWING IS A CONTROLLED DOCUMENT.		DWN K. WEIDNER 17JUN03	<b>tyco</b> Tyco Electronics Corporation Middletown, PA 17057	
DIMENSIONS: mm [INCHES]		CHK K. WEIDNER 05APR04	NAME MMCX STRAIGHT PCB PLUG	
TOLERANCES UNLESS OTHERWISE SPECIFIED:		APVD K. WEIDNER 05APR04	PRODUCT SPEC 108-2084	
0 PLC ± -		APPLICATION SPEC		
1 PLC ± 0.26 [.010]		SIZE A2		
2 PLC ± 0.13 [.005]		CAGE CODE 00779		
3 PLC ± -		DRAWING NO C=1408496		
4 PLC ± -		RESTRICTED TO		
ANGLES ± 1°		SCALE 20:1		
FINISH		SHEET 1 OF 1		
MATERIAL		REV B		
WEIGHT		CUSTOMER DRAWING		

1408496